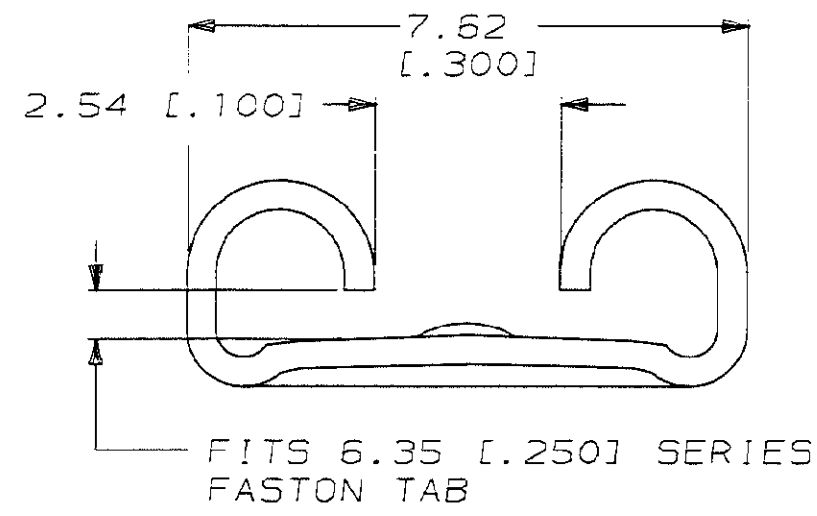
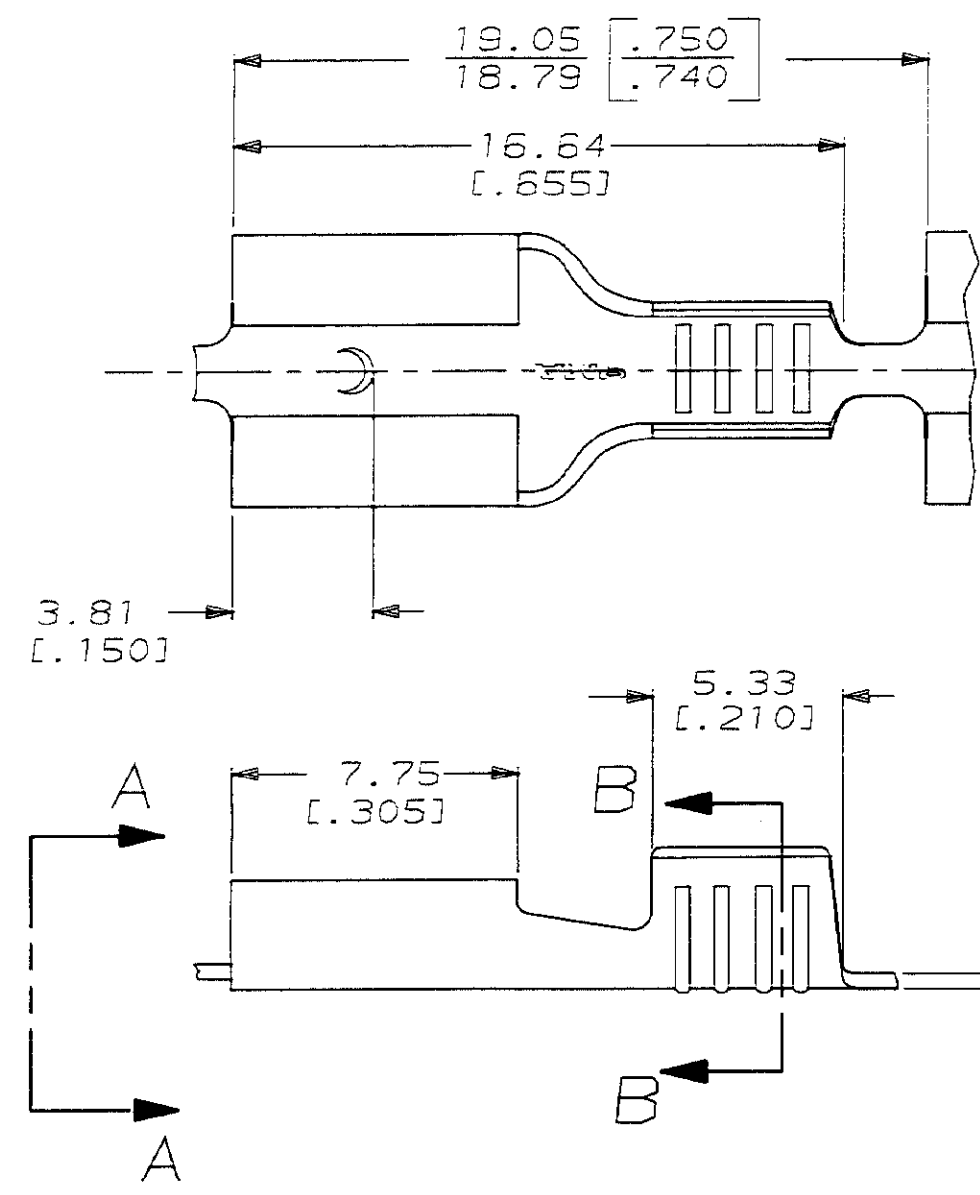


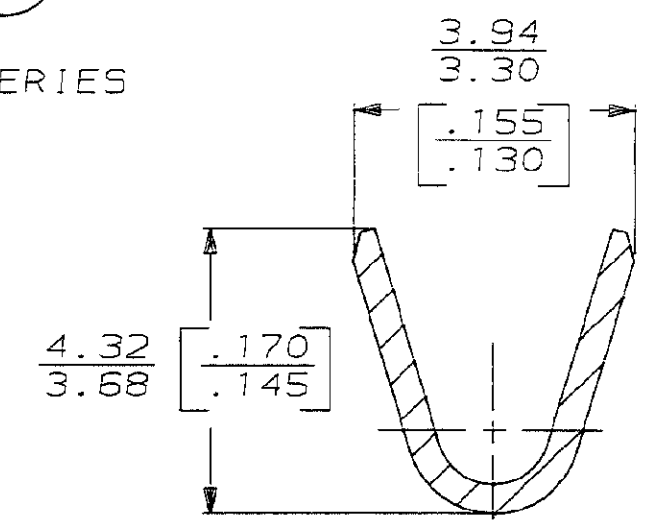
THIS DRAWING IS UNPUBLISHED. RELEASED FOR PUBLICATION
 © COPYRIGHT 19 BY AMP INCORPORATED. ALL INTERNATIONAL RIGHTS RESERVED.

LOC	DIST	P	F	ZONE	LTR	REVISIONS	DATE	APPD
AF	50				D	REVISED AF-7653	10/9/91	JR/CM



VIEW A-A
SCALE 10:1

1 CONTINUOUS STRIP ON REELS.



SECTION B-B
SCALE 10:1



TIN 0.002032 [.000080] MIN	0.8-2.0mm ² [18-14]	0.813 [.032]	60938-2 60938-1
FINISH	WIRE SIZE	MATING TAB THK ±0.025 ±[.001]	PART NO
DO NOT SCALE PRINT. UNLESS SPECIFIED DIMENSIONS IN mm [INCHES] TOLERANCES ON: 2 PLC DEC ± - 3 PLC DEC ± 0.25 [.010] ANGLES ± -	DR 3/15/90 JR RUTH CHK 3/15/90 MS FEHER APPD 3/15/90 C MEYERS APPD 3/15/90 R KUZO PRODUCT SPEC -	AMP INCORPORATED Harrisburg, Pa. 17105	
MATERIAL 4M BRASS	FINISH SEE TABLE	NAME RECEPTACLE, FASTON, 6.35 [.250] SERIES	
	APPLY SPEC -	SIZE B	CAGE CODE 00779
	WEIGHT -	DRAWING NO 60938	SCALE 5:1
		SHEET 1 OF 1	